

STRAPPING MACHINE

Type SM1



SMB STRAPPING TECHNOLOGY

MODEL SERIES: Standard Strapping Machine SMB SM1

TECHNICAL SPECIFICATIONS:

BUNDLE RATE

up to 48 strappings/ min; depending on tension force and arch size

BUNDLE SIZE

| | | |
|---------|------|--------|
| Width: | max. | 600 mm |
| | min. | 100 mm |
| Height: | max. | 600 mm |
| | min. | 5 mm |

BUNDLE WEIGHT

max. 30 kg

STRAPPING MATERIAL

Polypropylene strap accord. DIN 55 535
Width: 5 - 9 mm
Thickness: ca. 0,40 - 0,45 mm

SEALING METHOD

Thermo-sealing
Tensile strength of seal:
approx. 80% of strap tensile strength

STRAP COIL

Core diameter: 200 mm
Outer diameter: 420 mm
Width: 190 mm
Length: ca. 7 .000 m

TENSION FORCE

0 - 325 N

STRAP TENSION

Basic tension steplessly adjustable

ELECTRICS

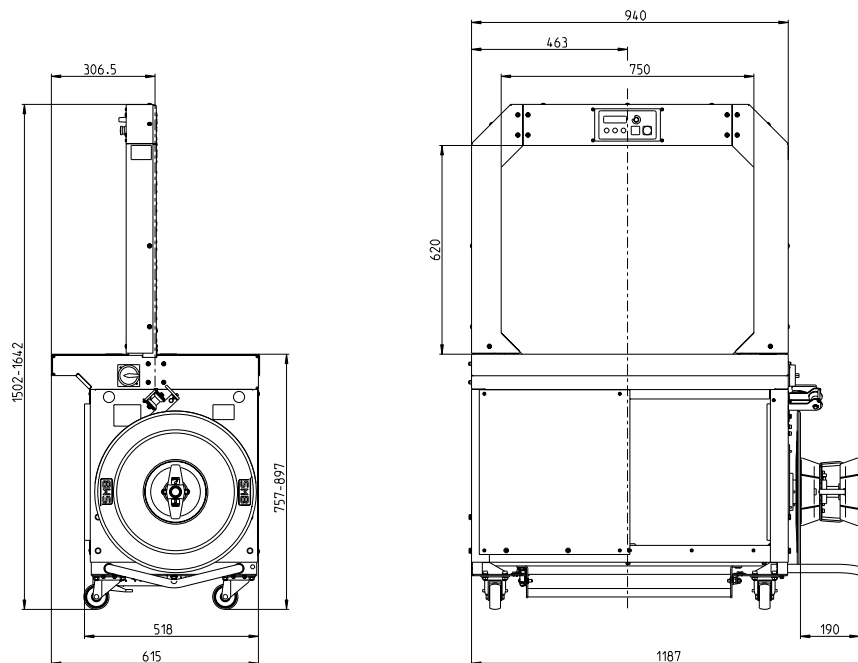
230V/50Hz, reconnectable to 110/120/240V
Max. fusing 16 A (B-Charakter)
Type of protection: IP 22

POWR CONSUMPTION

ca. 1,0 kW total connected load

WEIGHT

approx. 170 kg total weight



BASIC FEATURES:

- Fume dissipation
- Automatic strap feed (operator in upright position)
- Strap end detection with ejection of remaining strap
- Strap arch for bundles of max. 600 mm x 600 mm (width x height)
- Strap cutter
- Strapping of single copies with strap ejector
- Electrical coil brake
- Foot switch on operator side, also for continuous strapping
- Adjustable table top height (755 - 895 mm)
- Machine moveable (2 lockable castor wheels)
- Power cable (3 m length)

- Bundle height detection with automatic strap tension adjustment
- PC controller with operator unit and display
- Tension path 0 - 75 mm
- Stepless adjustment of tension force using a potentiometer
- Smooth table tops

EXTRA FEATURES AVAILABLE:

- Table top sensor to trigger single strapping mode
- Strap width 12 mm factory-built
- Strap arch for bundles of max. 500 mm x 400 mm (width x height)
- Strap arch for bundles of max. 600 mm x 400 mm (width x height)
- Strap arch for bundles of max. 800 mm x 600 mm (width x height)

- Strap arch for bundles of max. 1250 mm x 600 mm (width x height)
- Additional strap cutter
- External foot switch
- Foot switch on both sides - operable from any side
- Power connection at the machine top
- Plug connector (Euro-plug)
- Tension path > 75 mm
- Sliding bow, additional, over strap coil
- Table top larger at operator side (426 mm from outer table edge to strapping level)
- Table tops with rollers - available for standard table top
- Table top extension over strap coil for table larger at operator side (426 mm from outer table edge to strapping level)

Subject to alterations improving the product!



SCHWEDE MASCHINENBAU GMBH