



CSO 420

HORIZONTAL WRAPPER

CYKLOP[®]
GLOBAL PACKAGING SOLUTIONS

STRAPPING
WRAPPING
CODING
TAPING

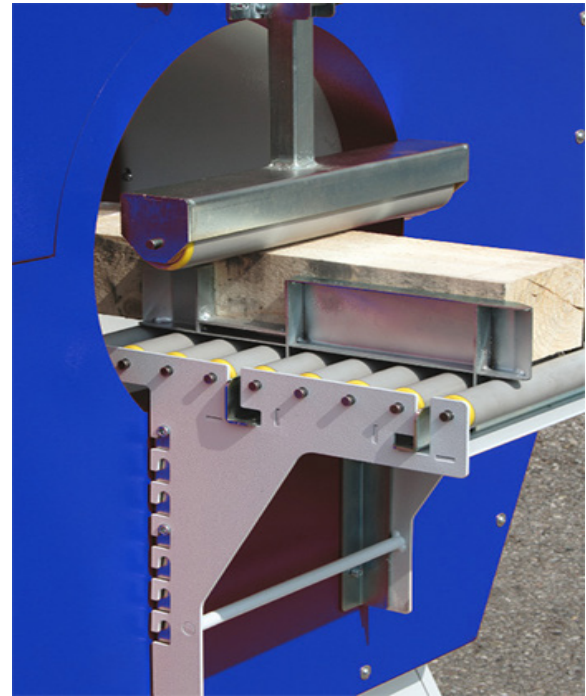
CSO 420

HORIZONTAL WRAPPER

A horizontal wrapper, also called a horizontal ring wrapper, is the ideal solution for horizontal packaging of long goods such as profiles, planks or doors. The load is packaged securely, making it impossible to move within the packaging.

The horizontal wrapping machine can also be used as a bundling machine. By bundling the products, the risk of damage is reduced, because the products cannot move together.

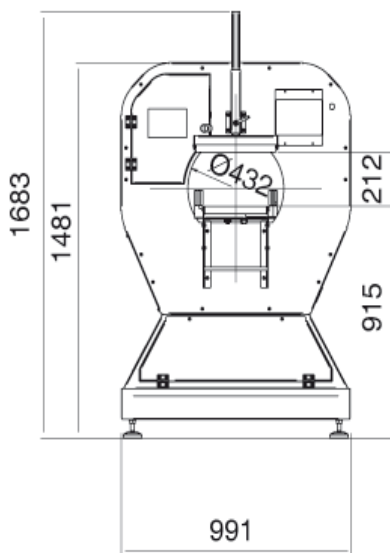
The CSO 420 is a semi-automatic horizontal film wrapping machine for packaging and / or bundling (usually long) products with wrapping film. The products are fed through manually.



Options

- Extra film carriage
- Automatic clamping and cutting function
- Input and output roller conveyors
- Side guides, manually adjustable
- Mechanical pressure roller, manually adjustable
- Film welding unit

> [Click here for a video of the CSO 420](#) <



Technical data

Ring diameter	Ø 420 mm
Film width	125 mm
Core diameter film	76 mm
Wrapping speed	Up to 90 rotations/minute
Drive	Belt
Power supply	230 V, 50 Hz, 1 phase
Control	Start & Stop foot pedal

Cyklop UK Limited
Unit 2, Generation Business Park
Barford Road
St. Neots
Cambridgeshire
PE19 6YQ

+44 1480 216777
www.cyklop.co.uk
info@cyklop.co.uk

CYKLOP[®]
GLOBAL PACKAGING SOLUTIONS

STRAPPING
WRAPPING
CODING
TAPING