



STRETCH WRAPPER
MODEL: CST 940

CST 940 Strong as a Rock

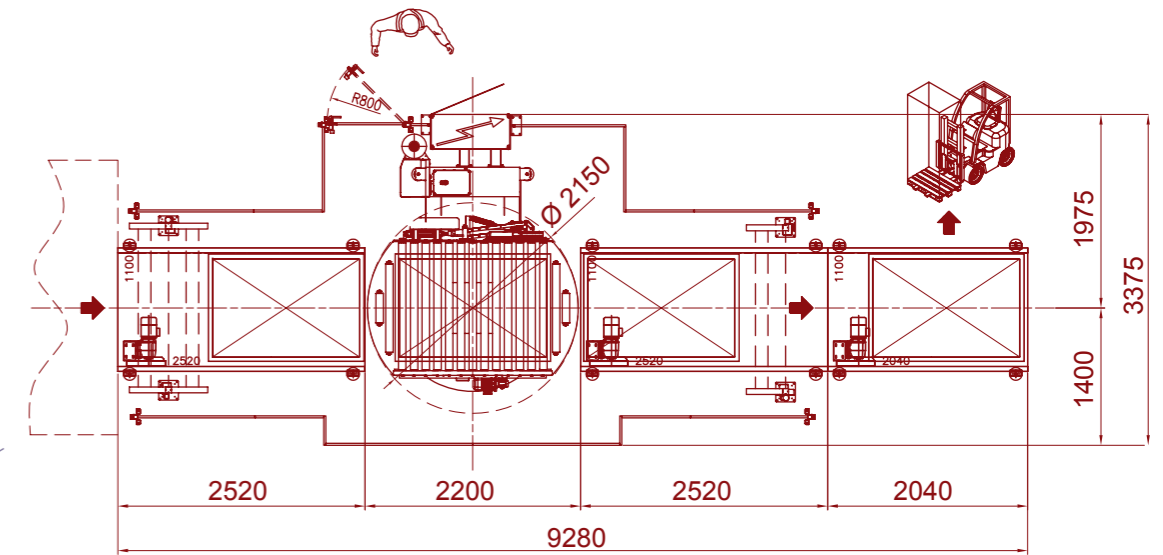
CTS 940 is designed as a turnkey system to provide a compact in-line stretch wrapping system with a short installation time. The graphic interface is easy operated and with quick access to information regarding the film consumption, number of pallet wrapped.

Technical Characteristics

Conveyor height	400-500 mm
Maximum table rotation speed	16 rpm
Total power installed	3 Kw – 5 Kw with Top
Standard power supply	400V – 50Hz – 3 PH+N+G
Protection on electric system & motors	IP 54
Operating pressure	6 bar
Max pallet dimensions	1200 x 1400 mm
Min pallet dimensions	600 x 800 mm
Max pallet height	2400 mm
Max pallet weight	2000 Kg
Production capacity per h	Up to 40



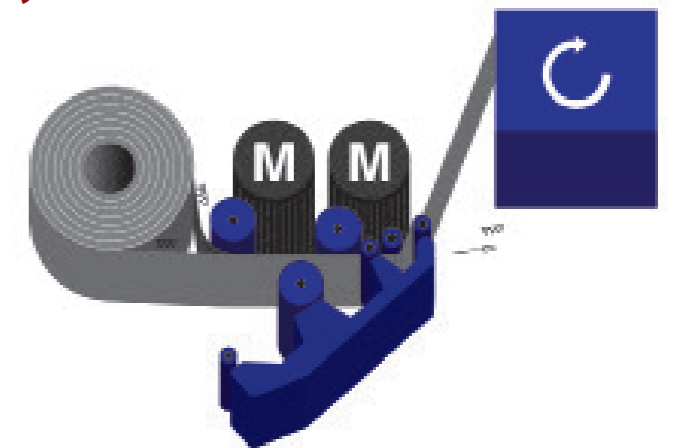
- Optionals
- Inox version.
 - Acid protection.
 - Increased diameter.
 - Mast for loads up to 3300 mm high.
 - Film weight check.
 - Pallet holder presser.
 - Corner applicator.
 - Roping system.



Control panel equipped in a standard version with a touch-screen operator Display.

Save your Money

Motoried pre-stretch system with 3 driven rollers and 2 motors adjustable between 120 to 350 % from control panel.



WWW.CYKLOP.NL
+31 384675800

CYKLOP Nederland BV
Benjamin Franklinstraat 5
8013 NC Zwolle
info@cyklop.nl

